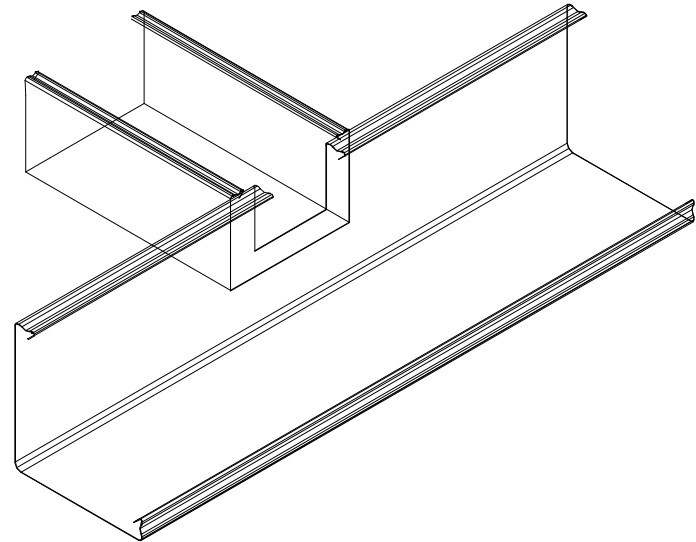
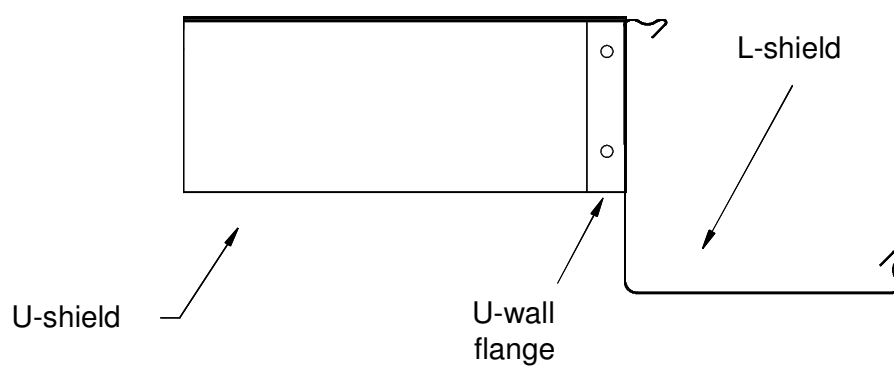


# Soffi-Steel® System T-Intersection



JG Innovations, Inc.

T-Intersection

Drawn By: S.P.S.

**The Soff-Steel System is protected by  
patent number 5,526,617; other patents pending.**